

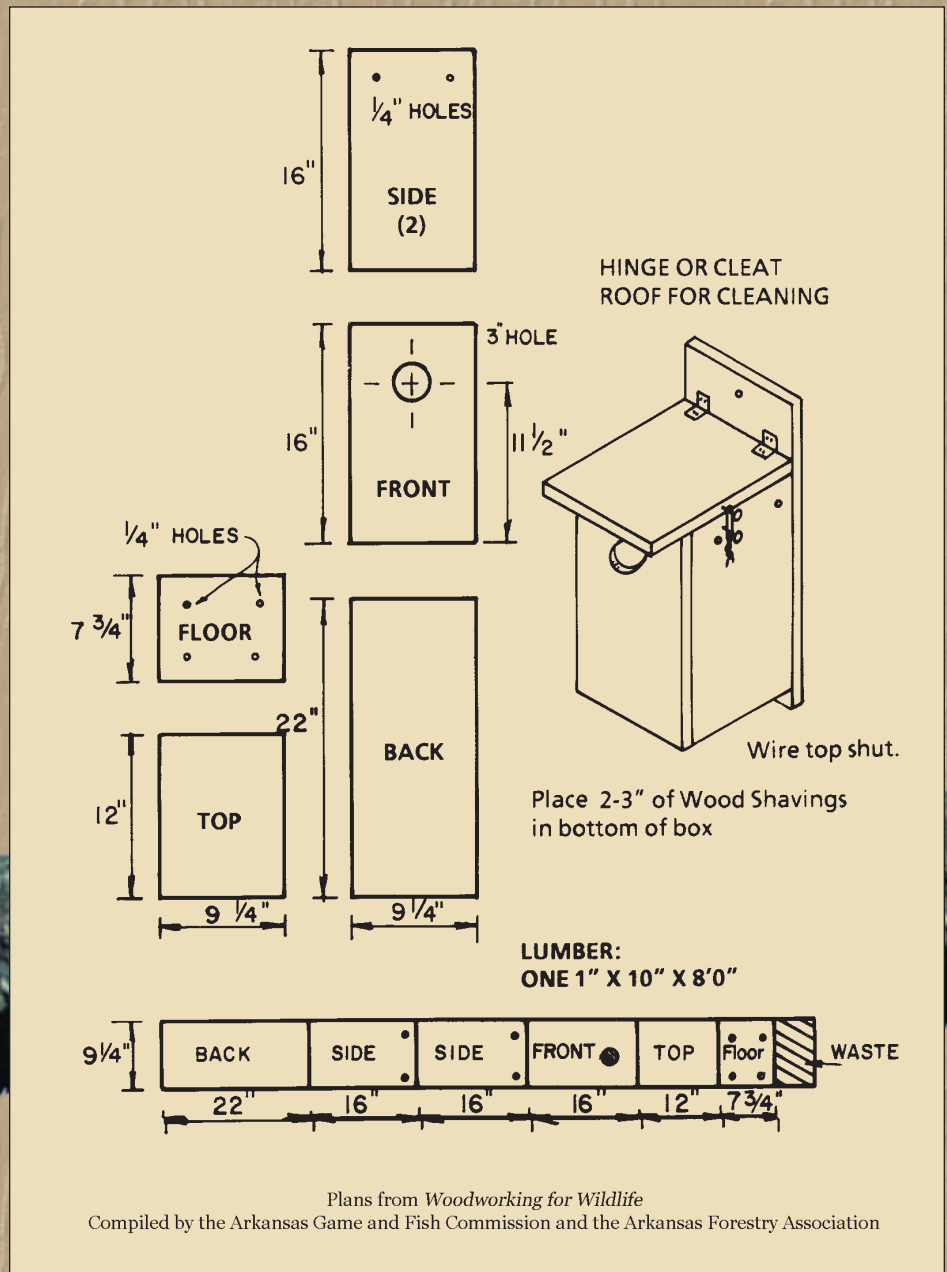
WOODWORKING FOR WILDLIFE

SCREECH OWL

Screech owls are small, gray or reddish owls with ear tufts. They are found along forested ridges, in farm wood-lots, in orchards and wooded stream corridors. They are only about 8 inches high and resemble a miniature version of the great horned owl. The nest box for this owl should be placed at least 10 feet high in mature woodlands. Preferred habitat seems to be on the edge of woods adjacent to fields or wetlands. Screech owls also often nest in squirrel and wood duck boxes.

Research suggests that "The ideal screech owl cavity would be a box located under a limb in a living tree with... [vines], and with the box entrance facing north." Perhaps all owls prefer darker cavities.

To prevent use by squirrels, the box could be placed on a pole with a predator guard. Since the entrance hole is 3 inches in diameter, persistent starling control may be necessary. About 2 to 3 inches of wood chips should be placed in the bottom of the box.



Plans from *Woodworking for Wildlife*
Compiled by the Arkansas Game and Fish Commission and the Arkansas Forestry Association